



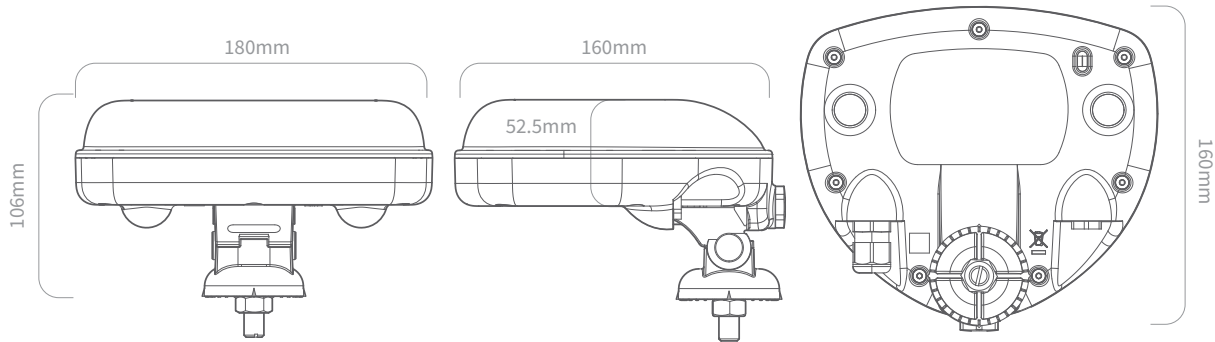
DENSL

Balizamiento y Seguridad

SAFER
GREENER
MORE EFFICIENT

DATA SHEET
CROSSENSE 3D®

Pedestrian Detector



SPECIFICATIONS

Description	Pedestrian Detector
Technology	CROSSENSE 3D® 3D HD Optical Stereo Vision
Detection Zone	4m x 2m (mounted @4m)
Mounting Height	3-4m (3.5m nominal)
Power Supply	12 - 24V ac/DC or 230Vac
Power	3.6W @ 12VDC @ 300mA / 6.9W @ 230Vac @ 30mA 6.1W @ 24Vac @ 255mA / 3.4W @ 24VDC @ 140mA
WiFi Frequency/Power	Frequency range (MHz): 2412-2472 Highest EIRP power in the range (dBm): 19.7
Opto / Relay Current	60mA
Detect Output	Single Opto
LED Indication	Front LEDs for detect and WiFi connection
Housing Material	Black Polycarbonate
Sealing	IP55 & NEMA 250 4X
Operating Temp	-34°C to +74°C
Configuration	WiFi CROSSENSE 3D® Touch-Setup
Lux Level	In built IR illuminator for low light/night time
Dimensions	W 181mm x D 160mm x H 106mm
Weight	500g
Complies with	EMC: BS EN 50293:2012, EN 301 489-17, EN 301 489-1 Health & Safety: BS EN 62368, EN 60950-22, EN 62311 Spectrum: EN 300 328 RoHS: EN 50581 Other: TOPAS 2507A, NEMA TS 2 2016
Patent No.	GB 2448617

APPLICATIONS

- Pedestrian and Cyclist Detection



*For US special build variant required

Owing to the Company's policy of continuous improvement, CROSSENSE 3D® Systems Limited reserves the right to change their specification or design without notice. CROSSENSE 3D® products should be installed by a competent person.

PRODUCT VARIANTS

641-500-021	Pedestrian Detector / 12-24V ac/dc / WiFi / Single Opto Output/1m lead / 1m bulkhead mating lead
641-503-021	Pedestrian Detector / 12-24V ac/dc / WiFi / Single Opto Output / 5m flying lead
641-504-021	Pedestrian Detector / 12-24V ac/dc / WiFi / Single Opto Output / 1m lead / 4m bulkhead mating lead
641-300-021	Pedestrian Detector / 230Vac / WiFi / Single Opto Output / 5m flying leads
641-301-021	Pedestrian Detector / 230V ac / Wi-Fi / Single Opto Output / 5m flying leads / Sunshield
641-501-021	Pedestrian Detector / 12/24V ac/dc / Wi-Fi / Single Opto Output/ 5m flying lead / Sunshield

